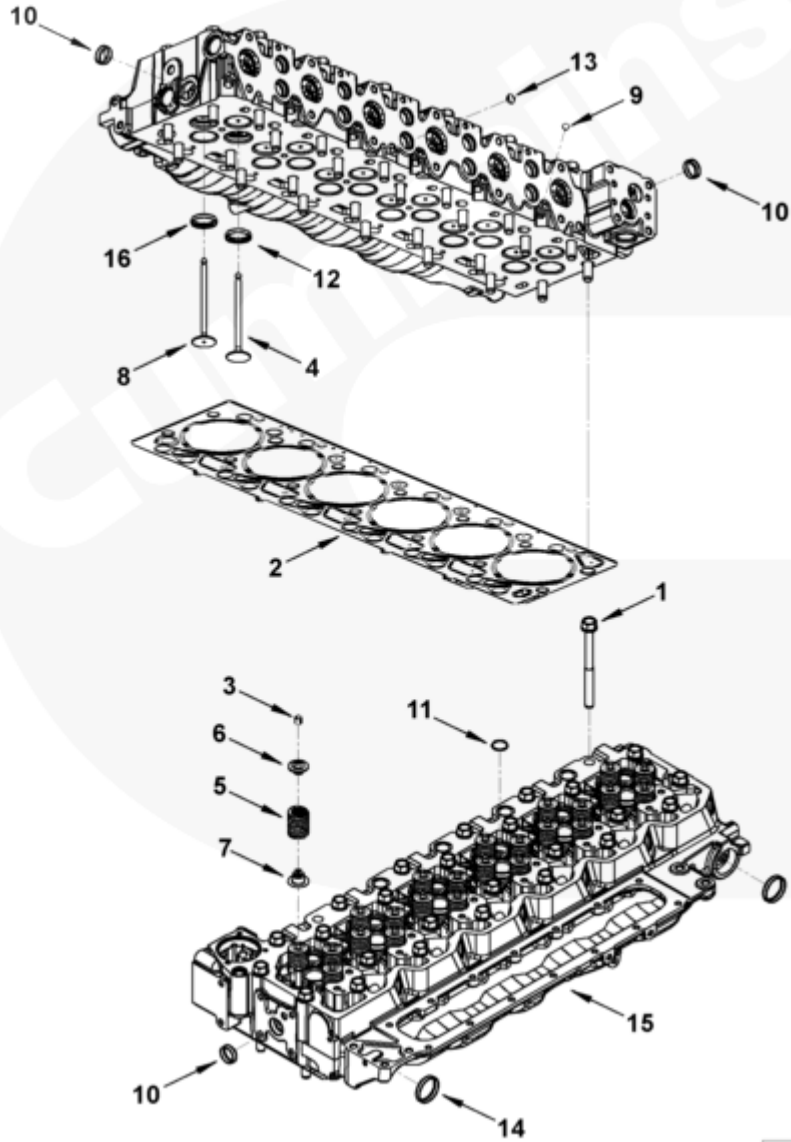




## Parts Catalog - Option Detail

Electronic Parts Catalog - Option Detail				
Option	Group	Graphic	Film Card	Date
PP8464	02.01	pp917zr	T	15-AUG-03
<b>Engines</b>	4B3.9, 6A3.4, 6B5.9, B GAS INTERNATIONAL CM556, B4.5, B4.5 CM2350 B129B, B4.5 CM2350 B146C, B4.5 CM2350 B147B, B4.5 RGT, B4.5S, B5.9 G, B5.9 GAS PLUS CM556, B5.9 LPG, B5.9 LPG PLUS CM556, B6.7 CM2350 B121B, B6.7 CM2350 B135B, B6.7 CM2350 B136C, B6.7 CM2350 B148B, B6.7 G CMOH6.0 B125, B6.7N CM2380 B150B, B6.7S, F3.8 CM2350 F120B, F3.8 CM2350 F128C, F3.8 CM2350 F132B, F3.8 F102, G3.9, G5.9, G5.9 CM558, ISB (CHRYSLER), ISB CM2150, ISB CM2150 E, ISB CM550, ISB CM850, ISB/ISD4.5 CM2150 B119, ISB/ISD4.5 CM2150 SN, ISB/ISD6.7 CM2150 B120, ISB/ISD6.7 CM2150 SN, ISB/ISD6.7 CM2880 B126, ISB3.9 CM2220 B107, ISB4.5 CM2150, ISB5.9G CM2180, ISB6.7 2010 DCX PICKUP, ISB6.7 2013 DCX CHASSIS CAB, ISB6.7 CM2150 SQ, ISB6.7 CM2250, ISB6.7 CM2350 B101, ISB6.7 CM2350 B103, ISB6.7 CM2350 B142, ISB6.7 CM2670 B153B, ISB6.7 G CM2180 B118, ISBE CM2150, ISBE CM800, ISBE2/ISBE3 CM850, ISBE4 CM850, ISD4.5 CM2150, ISD6.7 CM2880 D101, ISF2.8 CM2220, ISF2.8 CM2220 AN, ISF2.8 CM2220 EC, ISF2.8 CM2220 ECF2, ISF2.8 CM2220 F101, ISF2.8 CM2220 F117, ISF2.8 CM2220 F122, ISF2.8 CM2220 F126, ISF2.8 CM2220 F129, ISF2.8 CM2220 IAN, ISF3.8 CM2220, ISF3.8 CM2220 AN, ISF3.8 CM2220 F103, ISF3.8 CM2220 F110, ISF3.8 CM2220 F116, ISF3.8 CM2220 F134B, ISF3.8 CM2220 IAN, ISF3.8 CM2350 F109, ISF4.5 CM2220 F123, ISG11 CM2880 G106, ISG11 CM2880 G108, ISG12 CM2880 G107, ISG12 CM2880 G109, ISG12 G CMOH6.0 G111, QSB3.9 30 CM550, QSB3.9 CM2880 B138, QSB4.5 30 CM550, QSB4.5 CM2150 B108, QSB4.5 CM2250 B131, QSB4.5 CM2250 EC, QSB4.5 CM2350 B106, QSB4.5 CM2350 B122			



pp917zr

SMALL | MEDIUM | LARGE

Cart	Ref No	Part Number	Part Description	Required	Remarks
View My Cart					
		PP8464	Cylinder Head		Cylinder Head
<input type="checkbox"/>	1	3927063	Fracture Resistant Screw	26	
<input type="checkbox"/>	2	3958645	Cylinder Head Gasket	1	Grade B (1.25 mm)
<input type="checkbox"/>		3968185	Cylinder Head	1	
<input type="checkbox"/>		3802924	Intake Valve Kit	12	
<input type="checkbox"/>	3	3940123	Valve Collet	2	
	4	3940735	Intake Valve	1	
	3	3940123	Valve Collet	24	

<input type="checkbox"/>					
	5	3943161	Valve Spring	24	
<input type="checkbox"/>	6	3943198	Valve Spring Retainer	24	
<input type="checkbox"/>	7	3955393	Valve Stem Seal	24	Intake
	8	3968183	Exhaust Valve	12	Serviced as 4955210
		3968186	Cylinder Head	1	
<input type="checkbox"/>	9	3007632	Expansion Plug	7	
<input type="checkbox"/>	10	3914035	Expansion Plug	13	
<input type="checkbox"/>	11	3920706	Expansion Plug	11	
<input type="checkbox"/>	12	3943449	Valve Insert	12	Standard.
<input type="checkbox"/>	13	3945095	Expansion Plug	2	
<input type="checkbox"/>	14	3945094	Expansion Plug	2	
	15	3965998	Cylinder Head	1	
<input type="checkbox"/>	16	3968184	Valve Insert	12	Standard
<input type="checkbox"/>	12	3939719	Valve Insert	A/R	0.127 mm Oversize.
<input type="checkbox"/>	12	3939720	Valve Insert	A/R	0.254 mm Oversize.
<input type="checkbox"/>	12	3939721	Valve Insert	A/R	0.508 mm Oversize.
<input type="checkbox"/>	16	4934074	Valve Insert	A/R	0.127 mm Oversize.
<input type="checkbox"/>	16	4934075	Valve Insert	A/R	0.254 mm Oversize.
<input type="checkbox"/>	16	4934076	Valve Insert	A/R	0.508 mm Oversize.